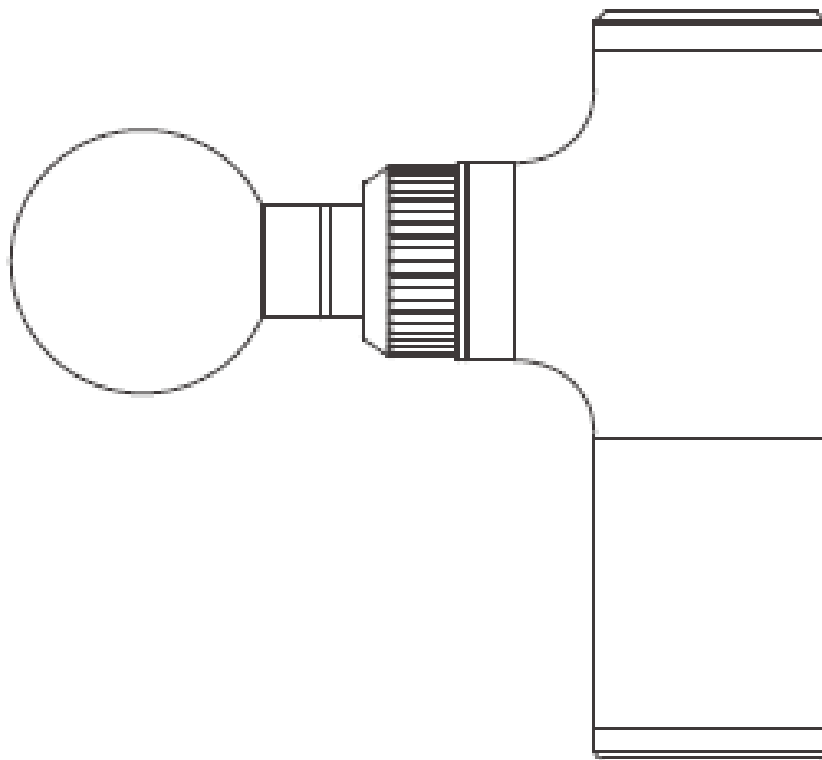


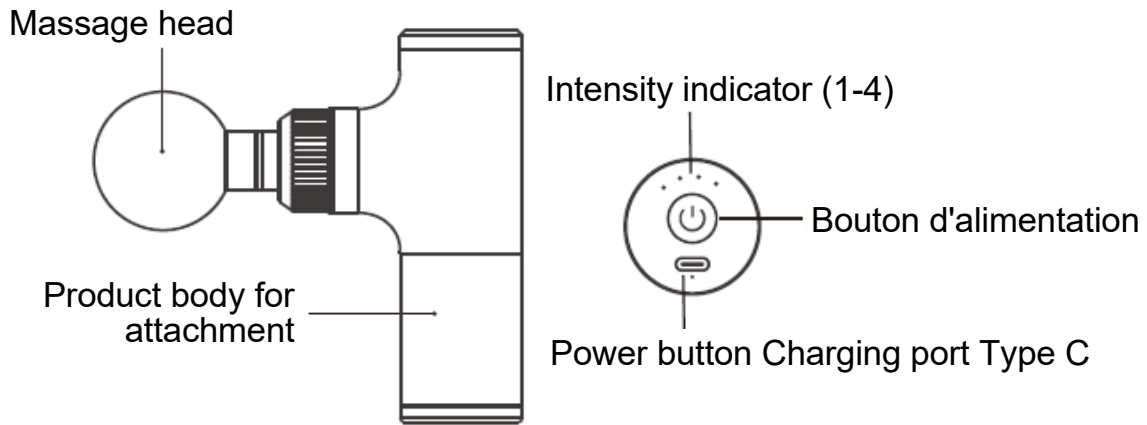
# Fisio Gun Prime

MASSAGE GUN WITH 4 SPEEDS



# USER MANUAL

# I. Product components:



**Ball head:**  
For arm, back, buttocks, thighs and calves massage.



**U-shaped head:**  
For neck, back, Achilles tendon massage.



**Bullet head:**  
For deep tissue massage.



**Flat head:**  
To relax any part of the musculature.

## II. How it works

1. Carefully place the desired head in the housing.
2. Press the power button for 3 seconds to turn it on.
3. The product has 4 intensity levels.
  - It always turns on at level 1.
  - Select the desired power level (1 to 4) by a short click on the power button.



**The product will automatically stop after 10 minutes. If you wish to continue using it, press the power button again for 3 seconds. To turn it off, also press for 3 seconds.**

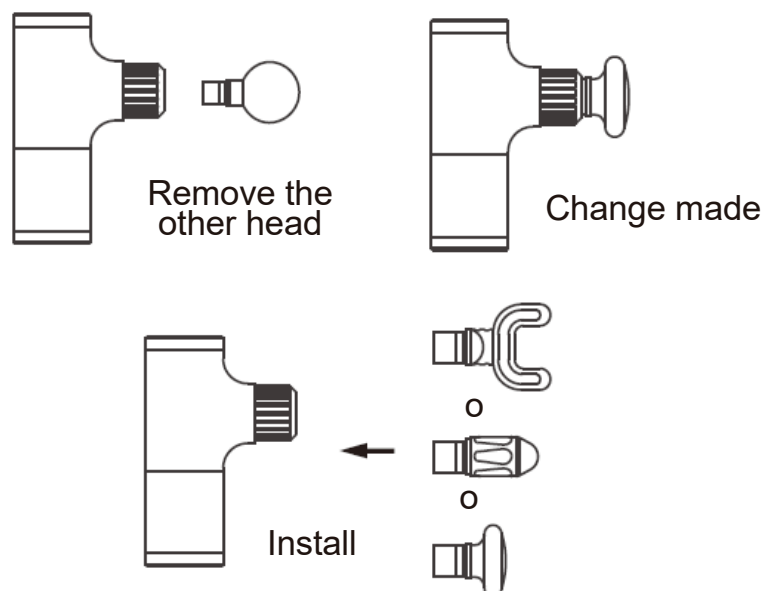
**Intensity indicator:** The 4 LEDs above the power button light up one by one to indicate the current intensity level.

Intensity indicator.



### How to change the type of head:

- Make sure the device is turned off.
- To install the head, hold the body of your Fisio Gun Prime and gently press it into place.
- To remove the head, grasp the body of your Fisio Gun Prime and gently pull the head off.



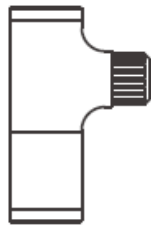
## V. Features

- Soulage la douleur et les spasmes causés par les contusions, les foulures et les entorses musculaires. - Réduit l'inflammation et l'accumulation d'acide lactique.
- Soulage la fatigue musculaire.

## VI. Prohibited for use in these conditions

- Pregnant.
- With heart condition or have a pacemaker.
- Suffering from diabetes, epilepsy, Cancer, phlebitis or thrombosis.
- Joint dysfunction, weak bones, osteoporosis or deviated spine.
- Do not use in tibia, back of the foot and hands.
- Not recommended for use if you have pins, screws, or artificial joints in your body.

## VII. Box contains:



Massage gun



USB to Type C charging cable



Travel case



Ball head



U-shaped head



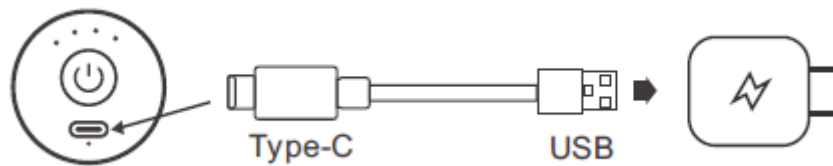
Bullet head



Flat head

### III. Charging the battery

1. Fully charge the product before the first use. The recommended time for the first charge is 5h.
  - Red LED: Charging
  - Led in green: It is charged
2. To protect the battery life: When the led is blinking red, put it on charge immediately.
  - A full charge gives you up to 5 hours of use, although it always depends on the intensity levels used.
3. While in use, the battery status led indicator will give you the following information:
  - More than 70% charge: green Led flashes 3 times every 5 seconds.
  - Less than 70% of charge: Green LED flashes 2 times every 5 seconds.
  - Less than 30% of charge: Green LED flashes 1 time every 5 seconds.
  - When the battery is less than 10%, the red LED starts blinking.



### IV. Specifications

|               |                  |
|---------------|------------------|
| DIMENSIONS    | 140 x 48 x 90 mm |
| WEIGHT        | 430 gr           |
| BATTERY TYPE  | Li-on            |
| BATTERY LIFE  | 4h               |
| CHARGING TIME | 5h               |
| IMPOT         | 5V — 2A          |

## VIII. Warranty

We warrant the product to be free from manufacturing defects for the period of 2 years from the date of sale.

The warranty does not cover:

- Damage to the product due to misuse or excessive use. It does not cover warranty if used with any accessory not included in this box.
- If the product is handled by personnel outside our technical service.
- If the product gets wet or immersed in water or any other liquid.

### **WARNING:**

Make sure that you can use this product before doing so if you have any kind of injury or illness. It is up to the user to make a responsible use and ask your doctor if you can use this type of product.

IMPORTED AND DISTRIBUTED BY:

Sistemas Avantia s.l.

CIF: B85859692

Clara del Rey 55.

28020 Madrid

[info@sistemasavantia.com](mailto:info@sistemasavantia.com)